

Brand hansgrohe
 Art. Name **uBox universal** Base set for finish sets for standard installation
 Art. Nr. 01001180

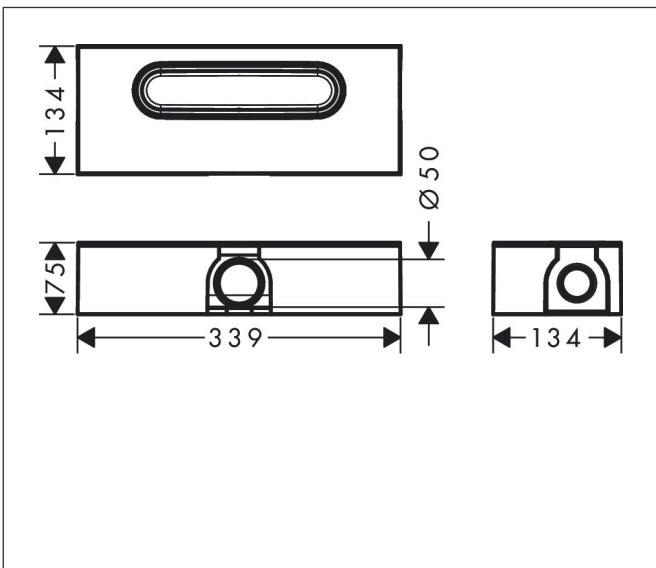
Product picture



Features

- consists of: basic set, trap, pre-assembled sealing membrane, height adjustment boards, screed protection cover
- suitable for RainDrain Match, Flex, Rock and Original finish sets
- where to use: new construction, renovation
- water seal height: 50 mm
- minimum construction height: 75 mm
- drainage capacity with siphon: up to 42 l/min
- drainage capacity with Dryphon: up to 60 l/min
- connection diameter: DN50
- direction of outlet: horizontal
- connection: 3-sided
- easy fixation to the floor with mounting bracket
- height adjustable with the foam boards
- mounting type: wall-mounted, free in the floor
- easy to clean siphon
- removable siphon
- suitable for soundproof mounting
- third party controlled acc. DIN EN 1253-3

Drawing



Technology

